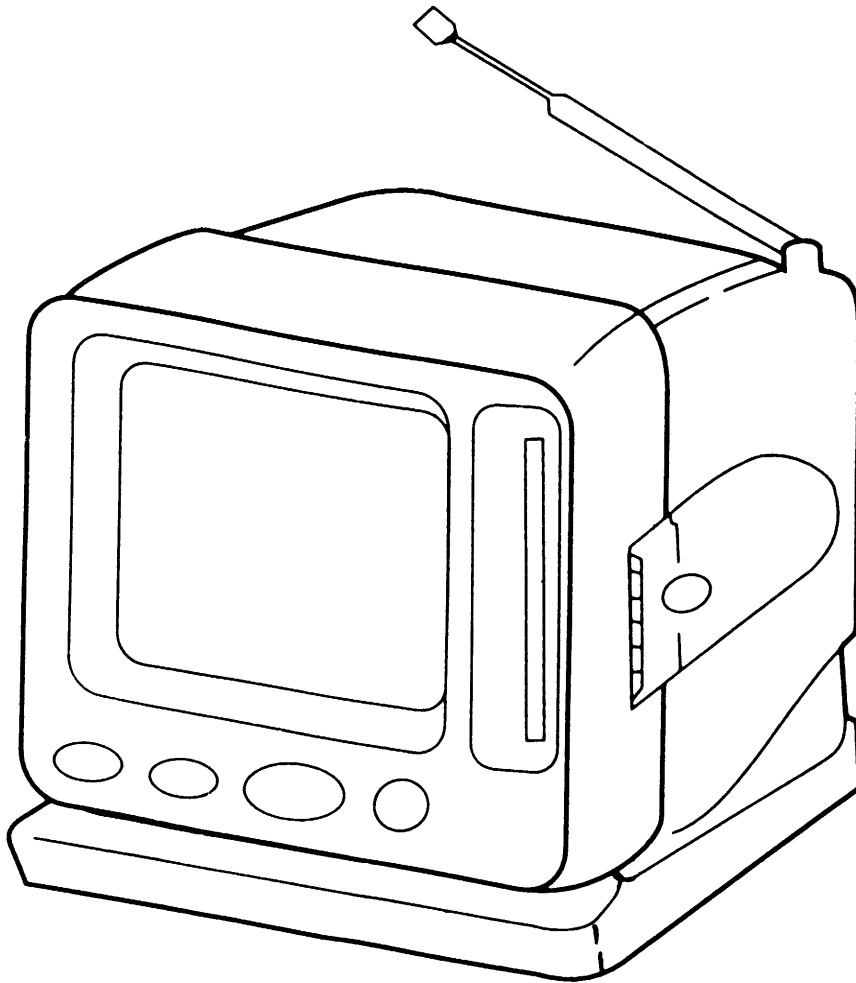


Memorex®

MT0500

Portable 5.5 inch Black & White Television
with AM / FM Radio

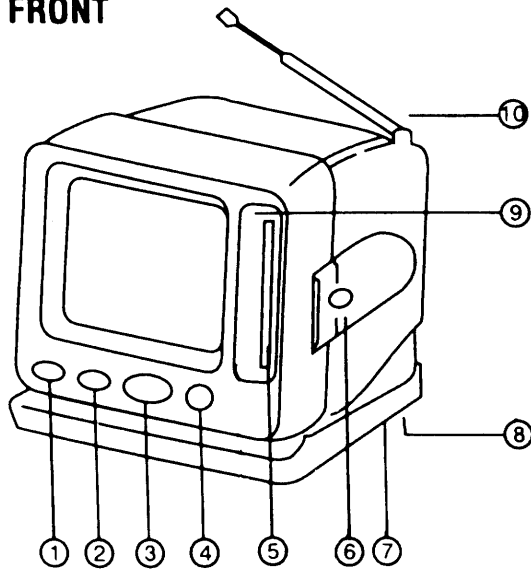
Owner's Manual



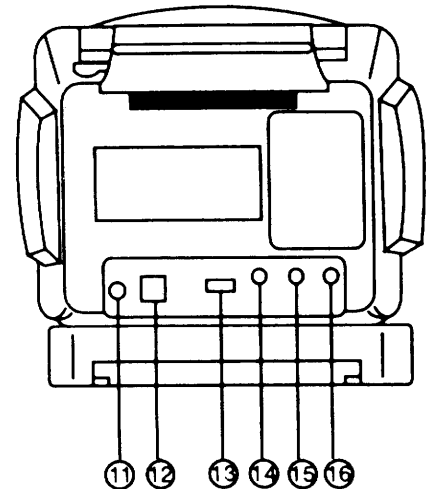
Read these instructions completely before operating this receiver.

■ LOCATION OF CONTROLS ■

FRONT



BACK



1. POWER SWITCH

RADIO / OFF / TV SWITCH

2. BAND SELECTOR

TV/W RADIO : AM / FM BAND

VL / VH / UHF BAND

3. VOLUME CONTROL

4. EARPHONE JACK

5. DIAL POINTER

6. TUNING CONTROL

7. BATTERY COMPARTMENT

8. BATTERY COVER

9. DIAL SCALE

10. TELESCOPIC ANTENNA

11. EXTERNAL ANTENNA JACK

12. DC 12V POWER INPUT JACK

13. POWER SOURCE SELECTOR

EXT : FOR EXTERNAL POWER

(AC ADAPTOR OR CAR BATTERY CORD)

BATTERY : FOR INTERNAL BATTERIES

14. VERTICAL HOLD CONTROL

15. BRIGHTNESS CONTROL

16. CONTRAST CONTROL

■ OPERATING INSTRUCTIONS ■

■ TV OPERATION

1. POWER SWITCH (1)

SLIDE THE POWER SWITCH TO THE "TV" POSITION.

2. BAND SELECTOR (2)

SLIDE THE BAND SELECTOR TO A DESIRED BAND SUCH AS:

VL = TO SELECT THE VHF LOW CHANNELS TV BROADCAST STATION. (EXCEPT I SYSTEM)

VH = TO SELECT THE VHF HIGH CHANNELS TV BROADCAST STATION. (EXCEPT I SYSTEM)

UHF = TO SELECT THE UHF ALL CHANNELS TV BROADCAST STATION

3. VOLUME CONTROL (3)

ADJUST THE KNOB FOR DESIRED VOLUME LEVEL.

4. TUNING CONTROL (6)

TUNE A DESIRED TV BROADCAST STATION BY TUNING THE TUNING CONTROL.

5. BRIGHTNESS CONTROL (15) & CONTRAST CONTROL (16)

IF THE PICTURE IS TOO BRIGHT OR TOO DARK. ADJUST THE BRIGHTNESS AND CONTRAST CONTROLS (LOCATED ON THE REAR OF THE UNIT) TO SUIT.

6. VERTICAL HOLD CONTROL (14)

IF PICTURE ROLLS UP AND DOWN. ADJUST THE VERTICAL HOLD CONTROL ON THE REAR OF THE UNIT.



■ PRIVATE LISTENING

A EARPHONE JACK (4) IS PROVIDED FOR YOUR PRIVATE LISTENING ENJOYMENT. WHEN THE EARPHONE PLUG IS INSERTED INTO THE JACK THE INTERNAL SPEAKER IS AUTOMATICALLY DISCONNECTED.

NOTE: THE JACK IS DESIGNED TO PERMIT THE USE OF 3.5Φ PLUG MONO EARPHONE ONLY.

■ RADIO OPERATION

1. SLIDE THE POWER SWITCH (1) TO THE "RADIO" POSITION.

2. SLIDE THE BAND SELECTOR (2) TO A DESIRED BAND.

3. TUNE A DESIRED RADIO BROADCAST STATION BY TUNING THE TUNING CONTROL (6).

4. ADJUST THE VOLUME CONTROL (3) TO A DESIRED LEVEL.

5. SLIDE THE POWER SWITCH (1) TO THE "OFF" POSITION TO TURN RADIO OFF.

■ POWER SOURCES ■

BEFORE ENJOYING THE UNIT PLEASE BE SURE THAT THE POWER SOURCE SELECTOR (13) IS SET TO THE PROPER POSITION. (EXT. OR BATTERY)

1. CAR BATTERY

THE DC POWER INPUT JACK (12) IS PROVIDED TO CONNECT TO A CAR OR BOAT CIGARETTE LIGHTER PLUG. CONNECT THE LIGHTER PLUG OF THE ADAPTOR INTO THE SOCKET OF THE CAR OR BOAT (NEGATIVE GROUND ONLY) AND PLUG THE OTHER END INTO THE DC POWER INPUT JACK (12).

2. AC OPERATION

PLUG THE OUTPUT PLUG OF THE AC ADAPTOR INTO THE DC POWER INPUT JACK (12). PLUG AC ADAPTOR INTO OUTLET

3. THIS UNIT CAN ALSO BE POWERED WITH 10 PCS UM-2 "C" CELL ALKALINE BATTERIES OR Ni-Cd RECHARGEABLE BATTERIES

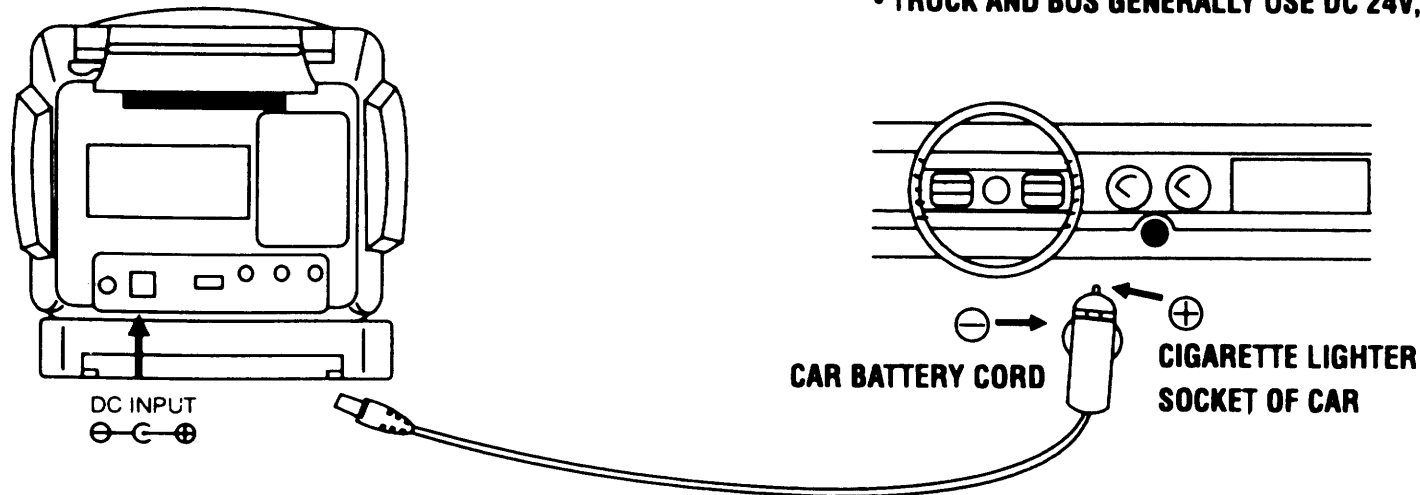
A. ALKALINE BATTERIES WILL PROVIDE AT LEAST 90 MINUTES USE. BE SURE TO REMOVE ALKALINE BATTERIES WHEN STORING THE SET FOR MORE THAN A FEW WEEKS AT A TIME. DO NOT CHARGE ALKALINE BATTERIES WITH THE AC ADAPTOR, OR YOU WILL DAMAGE THESE BATTERIES.

B. THE FULL SERVICE LIFE OF Ni-Cd RECHARGEABLE BATTERIES MAY BE MORE THAN 150 MINUTES. IF THE PICTURE BEGINS TO SHRINK OR TREMBLE, THE BATTERIES NEED TO BE RECHARGED. AT THIS POINT, STOP USING THE TV OR YOU WILL DAMAGE THE BATTERIES SERVICE LIFE.

■ CONNECTION ■

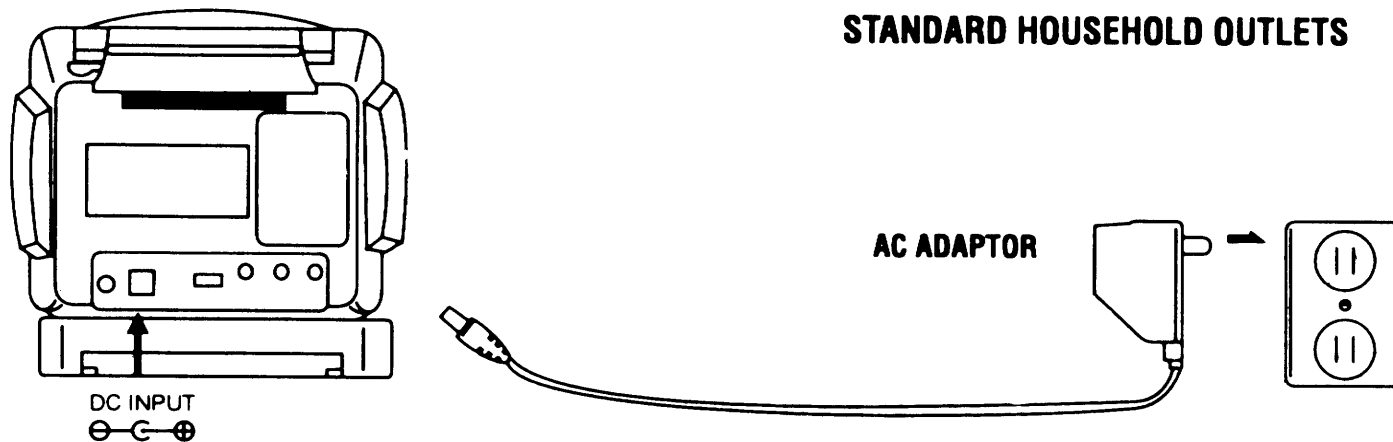
1. BACK VIEW

CAUTION • ONLY FOR USE WITH CARS HAVING NEGATIVE GROUND SYSTEMS
• TRUCK AND BUS GENERALLY USE DC 24V, CAN'T USE THIS UNIT



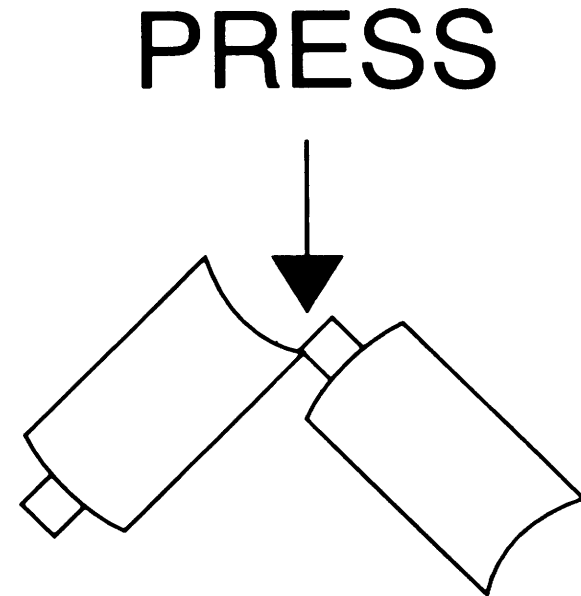
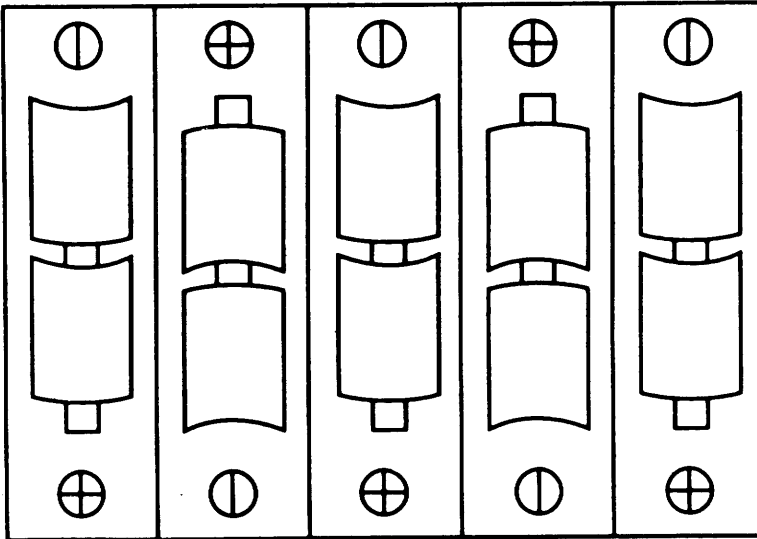
2.

STANDARD HOUSEHOLD OUTLETS



■ HOW TO INSTALL THE BATTERIES ■

1. OPEN THE BATTERY COVER (8) AT THE BOTTOM SIDE OF THE UNIT
2. BE SURE THE POLARITY (+) OR CAP END OF EACH ALKALINE BATTERY IS INSTALLED AS SHOWN IN THE BATTERY COMPARTMENT (SEE DRAWING BELOW).



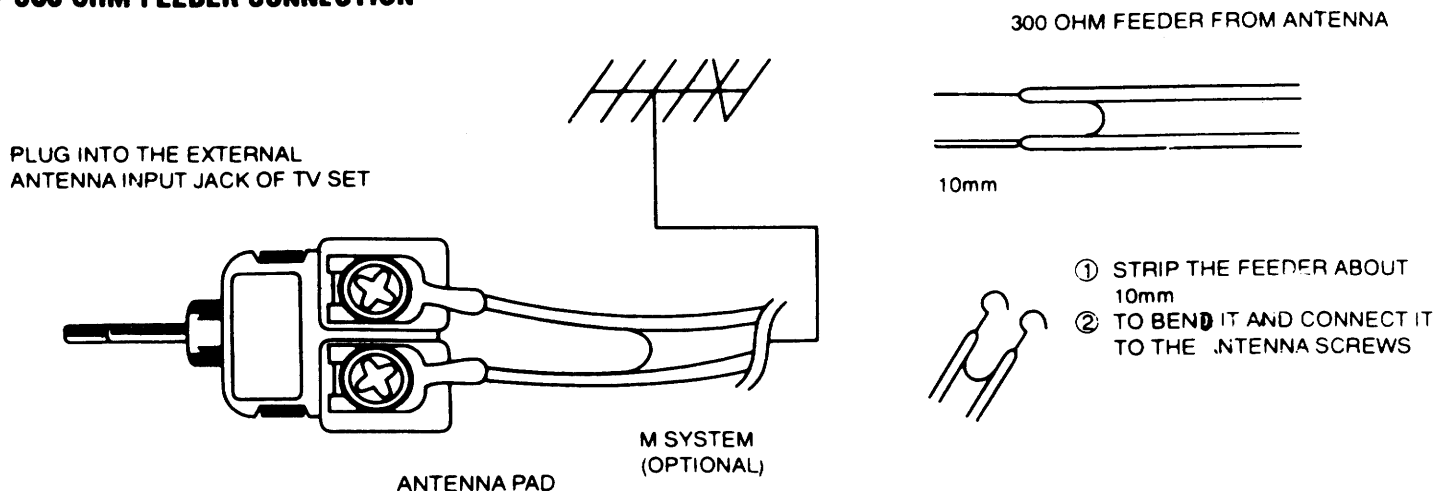
■ ANTENNA CONNECTION ■

1. ROD ANTENNA (75 ohm)

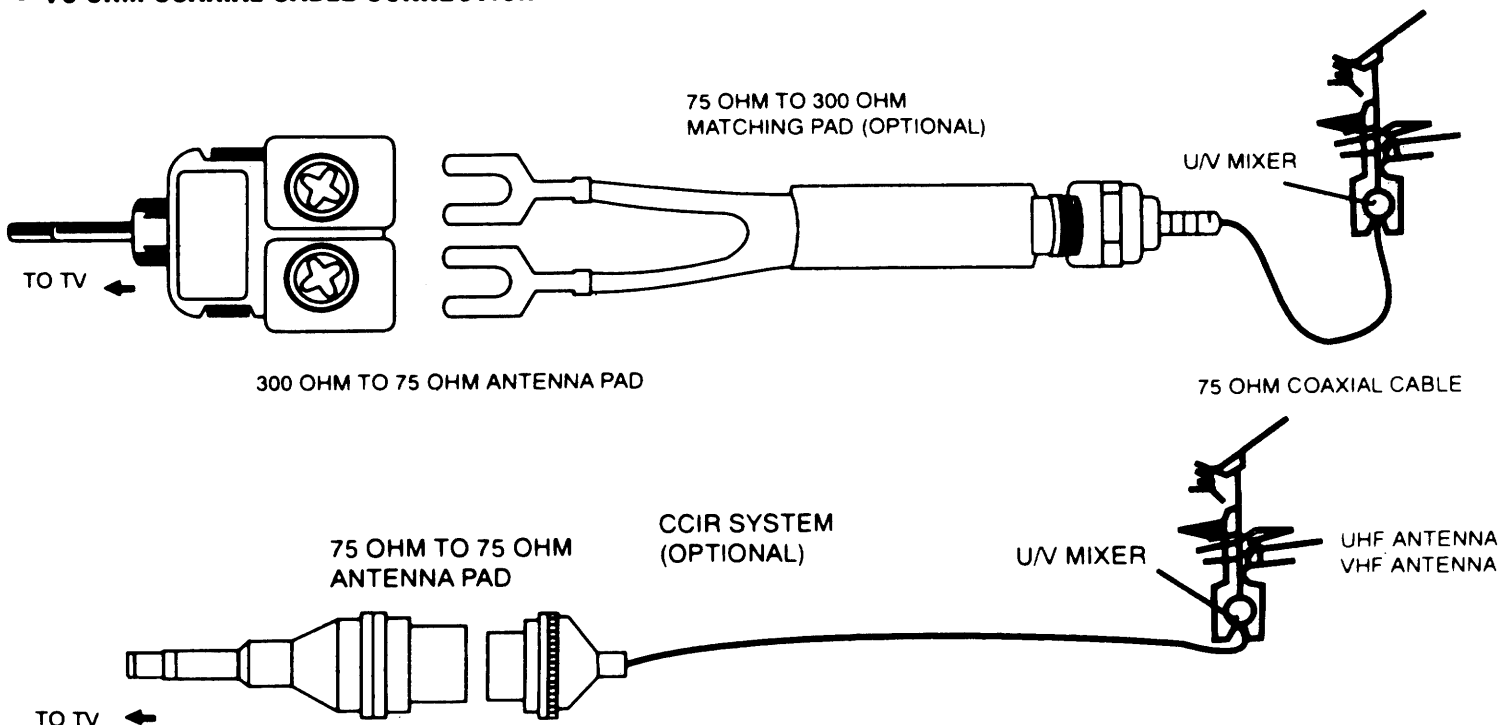
IN A NORMAL RECEPTION AREA. THE BUILT IN ROD ANTENNA (10) WILL DELIVER A SHARP, CLEAR PICTURE. WHEN EXTENDE ADJUST ITS LENGTH DIRECTION & ANGLE FOR THE CLEAREST PICTURE.

2. EXTERNAL ANTENNA ADAPTOR (PAD)

● 300 OHM FEEDER CONNECTION



● 75 OHM COAXIAL CABLE CONNECTION

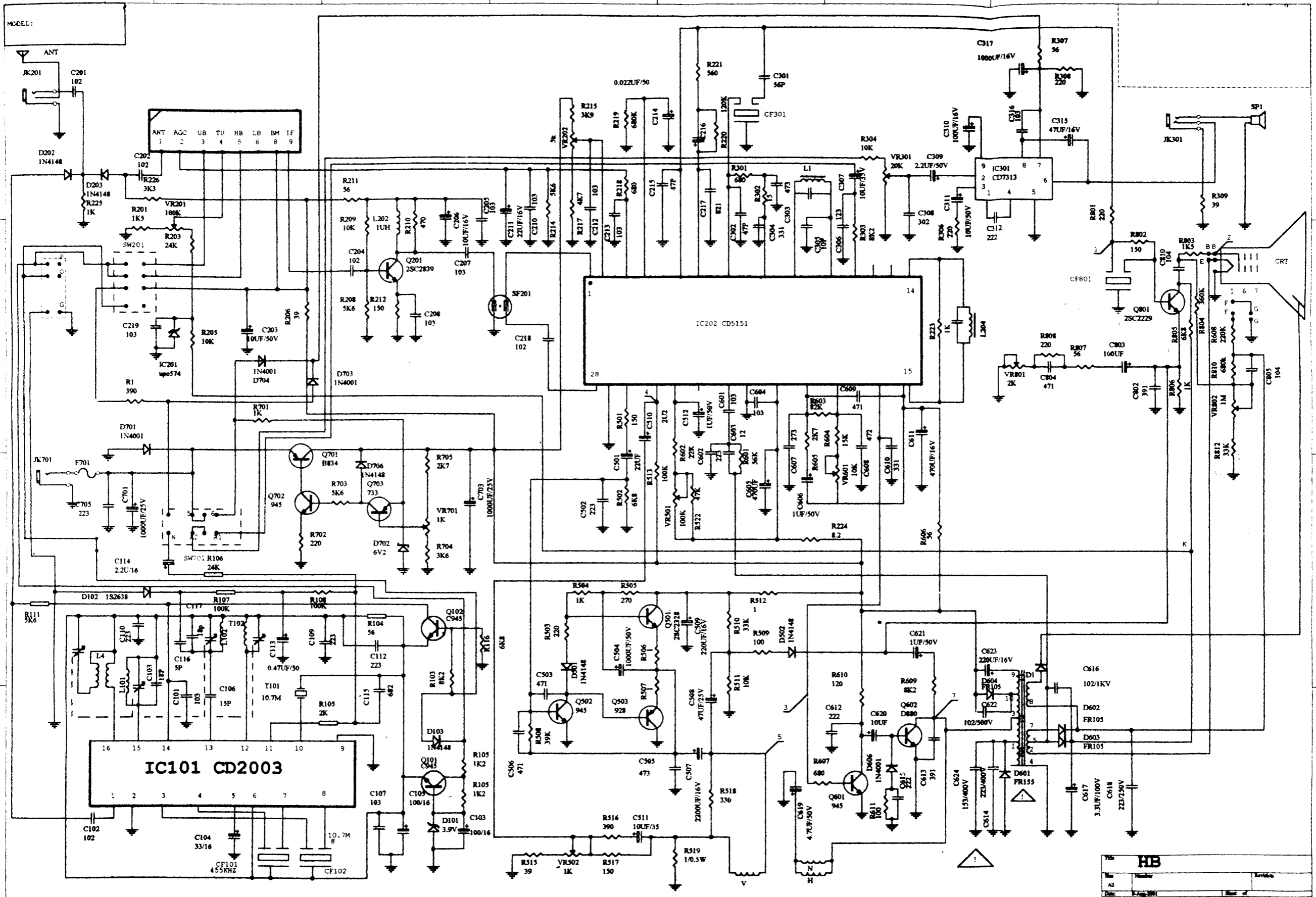


• WHEN TV RECEIVERS SIGNAL IS WEAK PLEASE CONNECT WITH EXTERNAL ANTENNA AS PER THIS FIGURE

■ SPECIFICATIONS ■

5.5" BLACK AND WHITE TV WITH RADIO

RECEIVER SYSTEM	: NTSCM
TUNING RANGE	: TV 2-13CH(VHF), 14-83CH(UHF) RADIO AM 530-1710 KHz FM 88-108 MHz
ANTENNA INPUT IMPEDANCE	: 75 OHM INT. TELESCOPIC ANT 300 OHM EXT. ANT. (USE ANTENNA PAD)
CRT	: 5.5" DIAG. 20 \emptyset NECK, 70° DEF
RESOLUTION	: MORE THAN 280 LINES
SOUND OUTPUT	: 0.5 WATT
POWER SOURCE	: 1. 12V /1000mA AC ADAPTOR . 2. 10 PCS " C " SIZE ALKALINE OR RECHARGEABLE BATTERIES 3. CAR BATTERY (USE CAR BATTERY CORD)
POWER CONSUMPTION	: 9.6W (DC 12V INPUT)
DIMENSION	: 180 (W) x 172 (H) x 201 (D) mm
NET WEIGHT	: 1.8 kg (Approx.)
GROSS WEIGHT	: 2.1 kg (Approx.)
ACCESSORIES	1. CAR BATTERY CORD 2. AC ADAPTOR 3. 300 OHM ANTENNA PAD



HB		Revision
Rev. #	Number	Revision